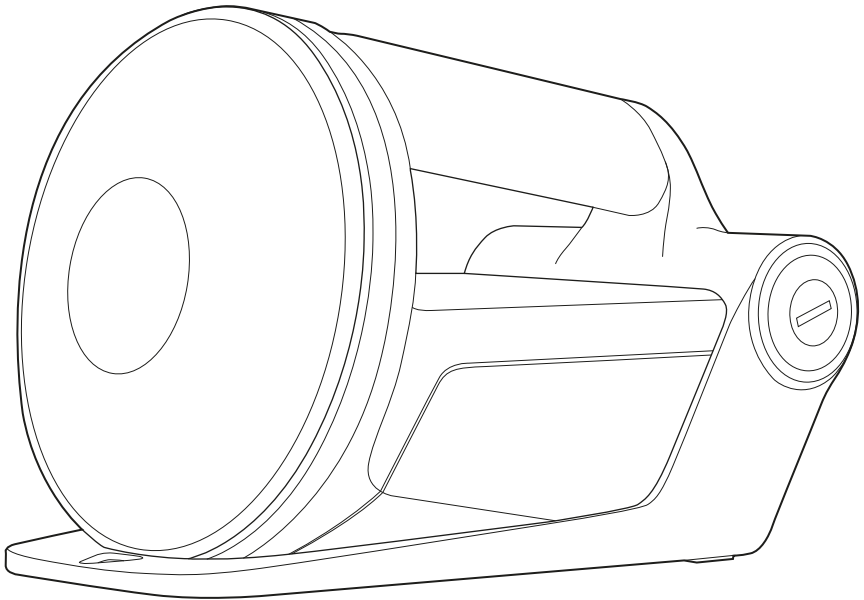


Gtech

Work Light

Model number: WL01



OPERATING MANUAL

IMPORTANT SAFEGUARDS:



IMPORTANT: READ ALL INSTRUCTIONS BEFORE USE. RETAIN INSTRUCTIONS FOR FUTURE REFERENCE.



WARNING: Basic safety precautions should always be observed when using an electrical appliance to reduce the risk of fire, electrical shock or serious injury.

Personal Safety:

- Do not look directly at the light source or direct the light at your eyes.
- The Work Light should not be positioned whereby it can be stared into for a prolonged period at a distance of less than 2.9m.
- Never operate the Work Light if it is damaged.
- Keep the product and all accessories away from hot surfaces.
- Never modify the Work Light in any way.

Electrical safety:

- Only use batteries and chargers supplied by Gtech.
- Never modify the charger in any way.
- The charger has been designed for a specific voltage. Always check that the mains voltage is the same as that stated on the rating plate.
- A charger that is suitable for one type of battery pack may create a risk of fire when used with another battery pack; never use the charger with another appliance or attempt to charge this product with another charger.
- A damaged or entangled charger cord increases the risk of fire and electric shock.
- Do not abuse the charger cord.
- Never carry the charger by the cord.
- Do not pull the cord to disconnect from a socket; grasp the plug and pull to disconnect.
- Don't wrap the cord around the charger to store.
- Keep the charger cord away from hot surfaces and sharp edges.
- The supply cord cannot be replaced. If the cord is damaged the charger should be discarded and replaced.
- Avoid body contact with earthed or grounded surfaces, such as pipes. There is an increased risk of electric shock if your body is earthed or grounded.
- Do not handle the charger or Work Light with wet hands.
- Do not let children use or charge the Work Light.
- Ensure users have an understanding of how to use, maintain and charge the Work Light.
- Do not charge the battery pack outside.
- Before charging check the power supply and charger cables for signs of damage or ageing.

Battery safety:

- Liquid ejected from the battery may cause irritation or burns.
- In an emergency situation contact professional help immediately.
- Do not touch any liquid that leaks from the battery.
- Wear gloves to handle the battery and dispose of immediately in accordance with local regulations.

- Shorting the battery terminals may cause burns or fire.
- When the battery pack is not in use, keep it away from paper clips, coins, keys, nails, screws or other small metal objects that could make a connection from one terminal to another.
- When you dispose of the appliance remove the battery and dispose of the battery safely in accordance with local regulations.
- Batteries must be recycled or disposed of properly. Do not dispose of batteries with regular waste, municipal waste stream or burn, as batteries may leak or explode. Do not open, short circuit or mutilate batteries as injury may occur.
- Do not use the appliance if any part is damaged or defective.
- Do not attempt to use the charger with any other product or to charge this product with any other charger.
- This product uses Li-Ion batteries. Do not incinerate batteries or expose to high temperatures, as they may explode.
- Do not charge the battery when the surrounding air temperature or the battery pack is below 0°C/32°F or above 45°C/113°F.
- After prolonged use or in high temperatures the battery may become warm. Allow the product to cool for 30 minutes before charging.
- Use only with Gtech Multi battery pack. Model: 113A0105.
- Leaks from battery cells can occur under extreme conditions. If the liquid gets on your skin wash immediately with soap and water. If the liquid gets into your eyes, flush them immediately with cold water for a minimum of 10 minutes and seek urgent medical attention.
- Do not store the battery outside for prolonged periods of time, especially over the winter months.

Maintenance and storage

- Use only the manufacturer's recommended replacement parts and accessories.
- When not in use, store out of the reach of children.
- The LEDs of the Work Light are not replaceable; when they reach the end of life the product must be replaced.

Intended Use:

- This product is intended for DOMESTIC USE ONLY.

WARNING:

- **Do not use solvents, or polishes to clean the outside of the appliance; wipe clean with a dry cloth.**

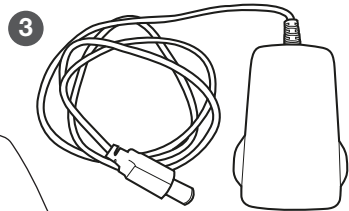
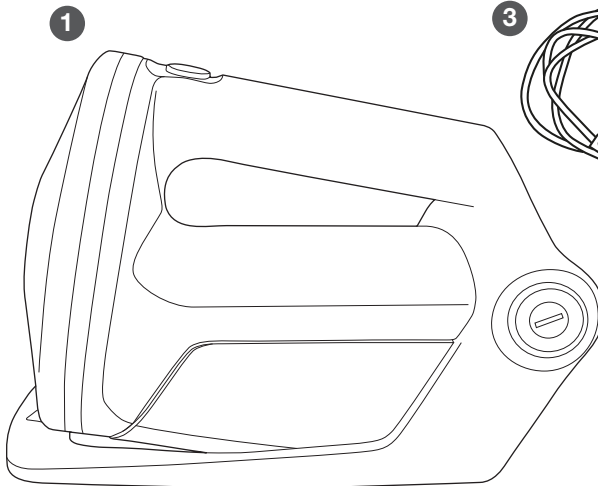
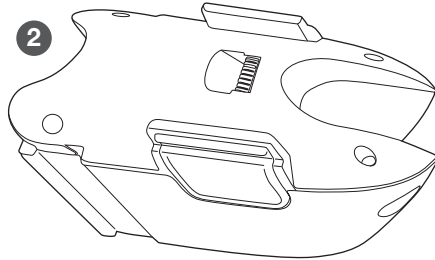
Thank you for choosing a Gtech Work Light

"I started Gtech to create sensible, easy to use products, which do a great job. Your opinion is important to us. Please take the time to write a review of your new Work Light on the website of the store you bought it from. We will use your feedback to improve our products and services and let other people know what it's like to be part of the Gtech family."

Nick Grey – Inventor, Owner of Gtech

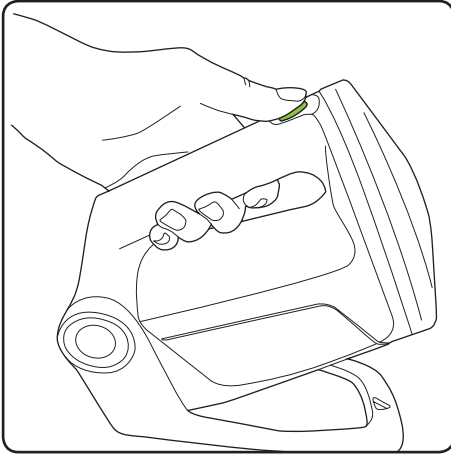
What's in the box

- 1 Work Light
- 2 Battery*
- 3 Battery charger*

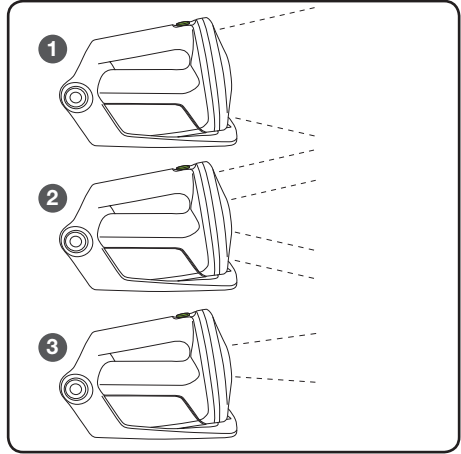


*Battery and charger not included if Work Light was purchased as an individual item.

Operation and Modes

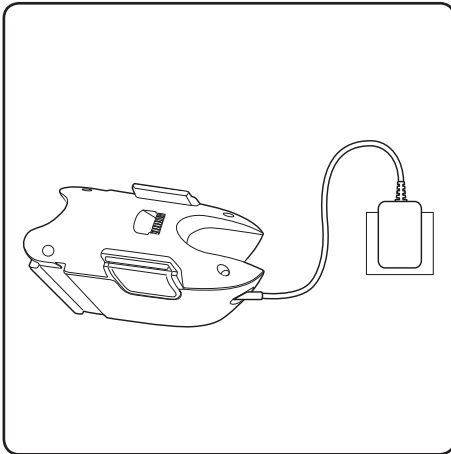


To switch the Work Light on and off press the green power button. The power button also cycles through three different light modes.

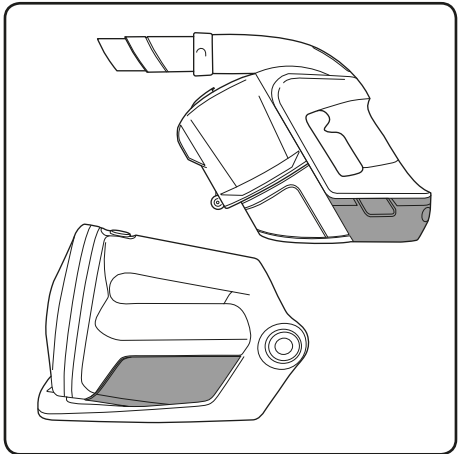


The Work Light has 3 light modes.
Mode 1) Low ambient
Mode 2) High ambient
Mode 3) Targeted

Charging

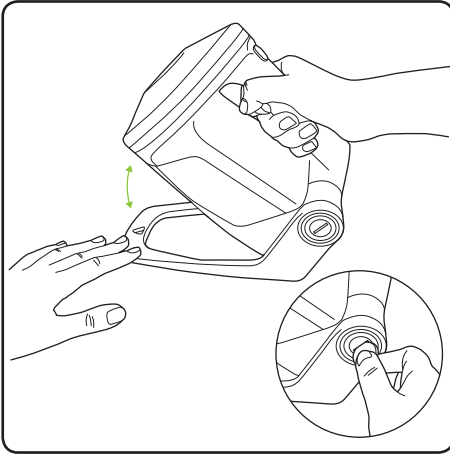


To charge the Work Light remove the battery and plug the charger in. The battery will be fully charged after 4 hours. Refer to page 6: 'inserting and removing the battery'.

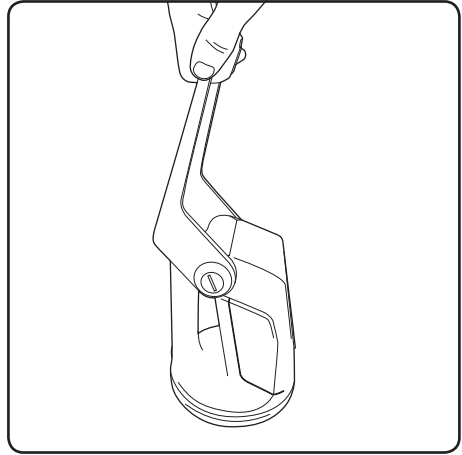


The battery is interchangeable between the Work Light and Gtech Multi. Fully recharge the battery when removing it from the Work Light to use on the Multi.

Adjusting the Work Light

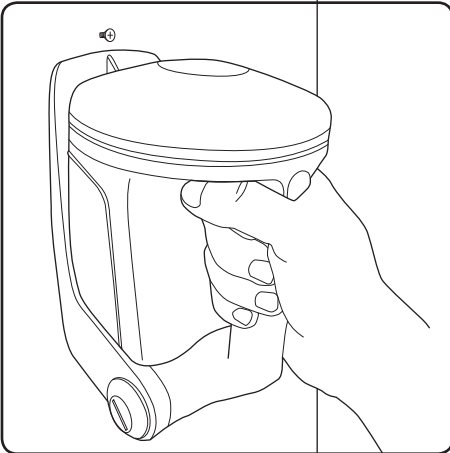


To adjust the Work Light raise or lower on the hinge. Hinge resistance can be increased and reduced by using a coin.

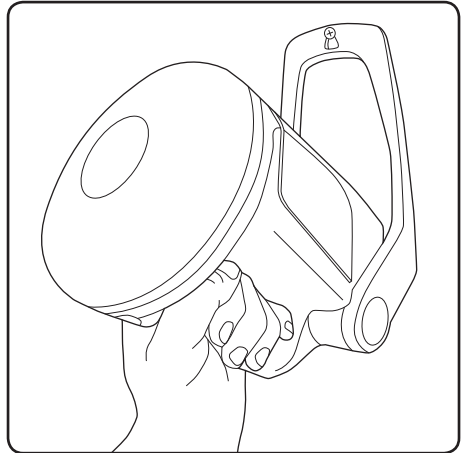


The Work Light can also be used as a lantern if carried or hung by the stand.

Attaching to a Wall

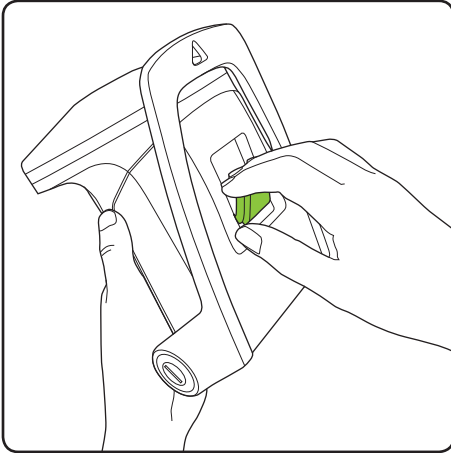


The Work Light stand has a hole which can be attached or hooked onto a screw or nail (screw is not supplied).

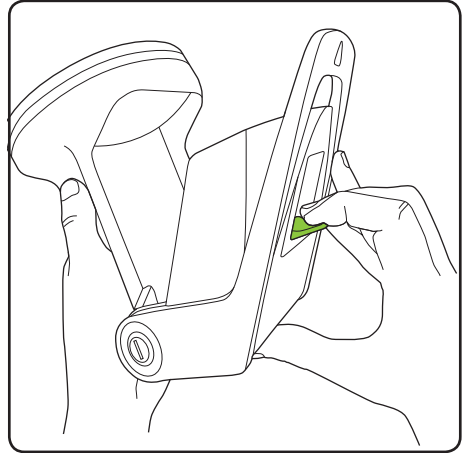


Pull the handle downwards to rotate the light to the desired angle.

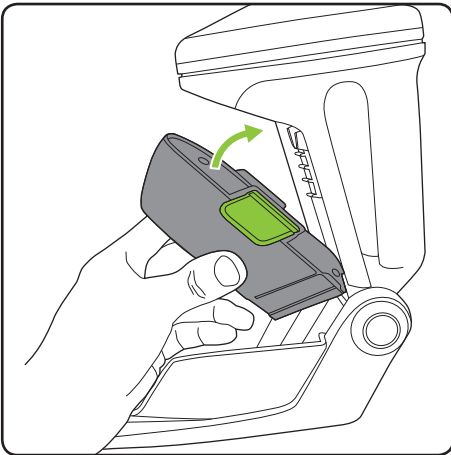
Inserting and removing the battery



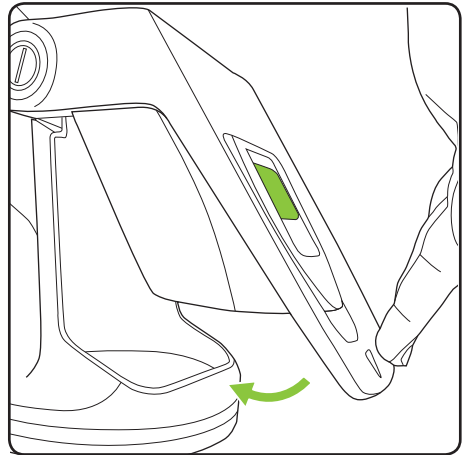
Pull the release lever on the bottom of the Work Light.



Use the release lever to both disengage and open the battery door.



Press the green buttons on the side of the battery to remove. The battery should be rotated into position in a hinge-like manner (as pictured) for both insertion and removal.



The battery door can be closed easily by pushing the stand until it clicks and locks into place.

WARRANTY – TERMS AND CONDITIONS

If your Gtech product breaks during the first year, don't worry, we will mend it for you.

Contact your local distributor for assistance.

WHAT ISN'T COVERED

Gtech or its authorised agents does not guarantee the repair or replacement of a product as a result of:


- Normal wear and tear.
- Accidental damage, faults caused by negligent use or care, misuse, neglect, careless operation or handling of the product which is not in accordance with the product operating manual.
- Use of the product for anything other than normal domestic purpose.
- Use of parts and accessories which are not Gtech genuine components.
- Faulty installation (except where installed by Gtech or its authorised agents).
- If it is modified in any way.
- Repairs or alterations carried out by parties other than Gtech or its authorised agents.

SUMMARY

- The guarantee becomes effective at the date of purchase (or the date of delivery if this is later).
- You must provide proof of delivery/purchase before any work can be carried out on the product. Without this proof, any work carried out will be chargeable. Please keep your receipt or delivery note.
- All work will be carried out by Gtech or its authorised agents.
- Any parts that are replaced will become the property of Gtech.
- The repair or replacement of your product is under guarantee and will not extend the warranty period.
- The guarantee provides benefits which are additional to and do not affect your statutory rights as a consumer.

GTECH WORK LIGHT TECHNICAL SPECIFICATION

Battery model	113A0105
Battery	22V 2000mAh Li-Ion
Charging period	4 hours
Battery charger output	27V DC 500mA
Weight	970g (including battery)

The  symbol indicates that this product is covered by legislation for waste electrical and electronic products (EN2002/96/EC)

Call your local council, via amenity site, or recycling centre for information on the disposal and recycling of electrical products.

When the product has reached the end of its life, it and the Li-Ion battery it contains should not be disposed of with general household waste. The battery should be removed from the product and both should be disposed of properly at a recognised recycling facility.





Grey Technology Limited